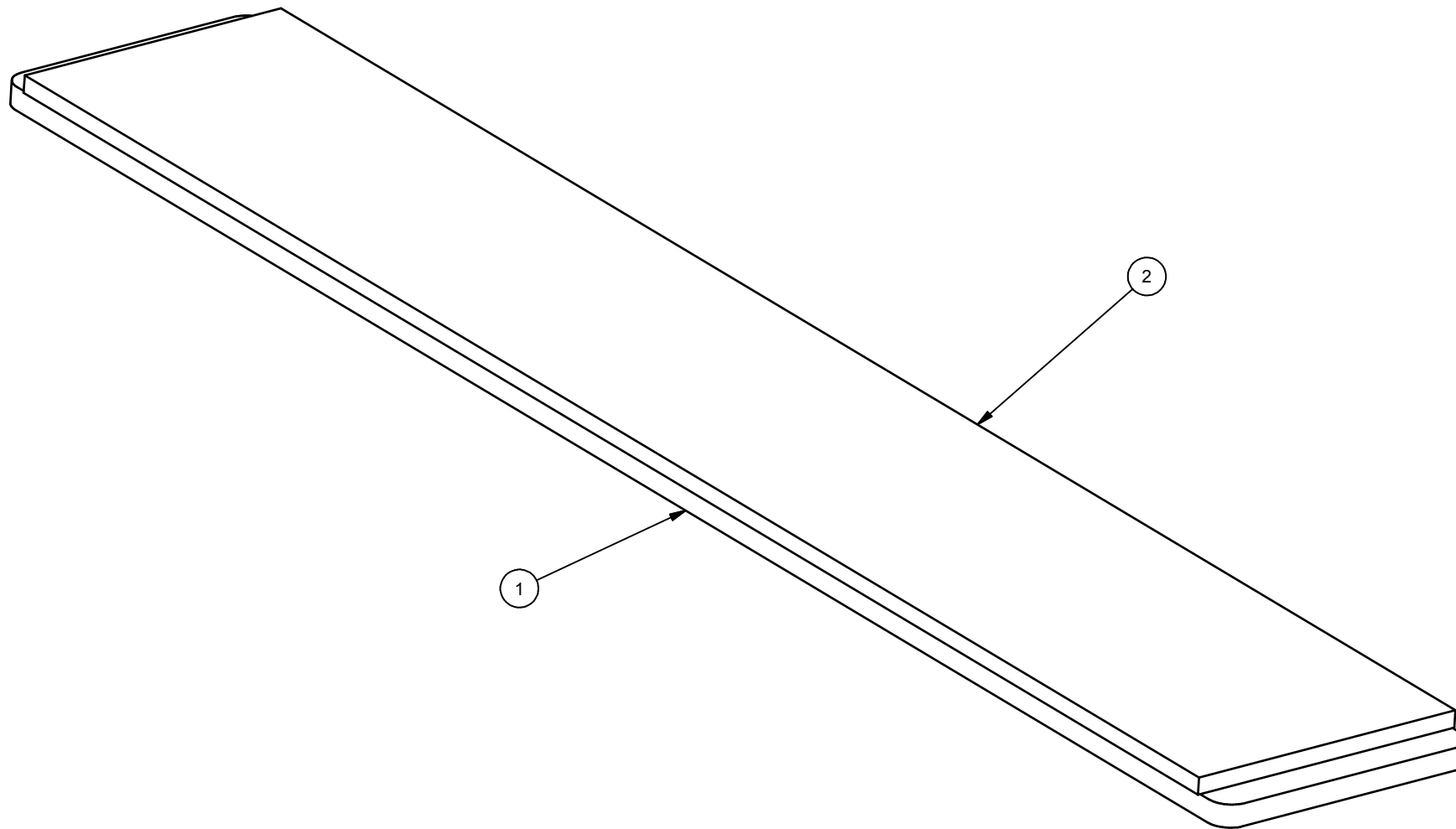


Parts List

| ITEM | QTY | PART NUMBER | DESCRIPTION |
|------|-----|--------------------|---------------------------|
| 1 | 1 | PPCS_403_003 | diamond coated plate |
| 2 | 1 | 3M HB D-Sided Tape | 3M HB D-Sided Tape 152x25 |

MFKS_401_JA454.iam (900 grit Diamond Plate)



Mass:0.070 kg

Qty 1

| | | | | |
|---|--------------------------|--|----------------------------|---------------------------------------|
| Designed by AS | Date drawn 11/08/2009 | General Tolerance X ± 1 Unless Otherwise X.X ± 0.4 stated: X° ± 1° X.XX ± 0.03 | All dimensions in mm A3 | Customer - Project |
| This document & designs shown are the property of Metalform (Dvke) Limited. It may not be copied in any form unless written permission is given by the Metalform(Dvke) Ltd | | Metalform (DVKE) Ltd | | Description 900 grit Diamond Plate |
| Easton Street, PO BOX 122 Dannevirke Phone 06 374 7043 Fax 06 374 9316 | | | Part No MFKS_401_JA454 | Rev A |
| A | | 11/08/2009 | AS | Sheet 1 / 1 |
| REV | DESCRIPTION | ECR | DATE | AUTHOR |