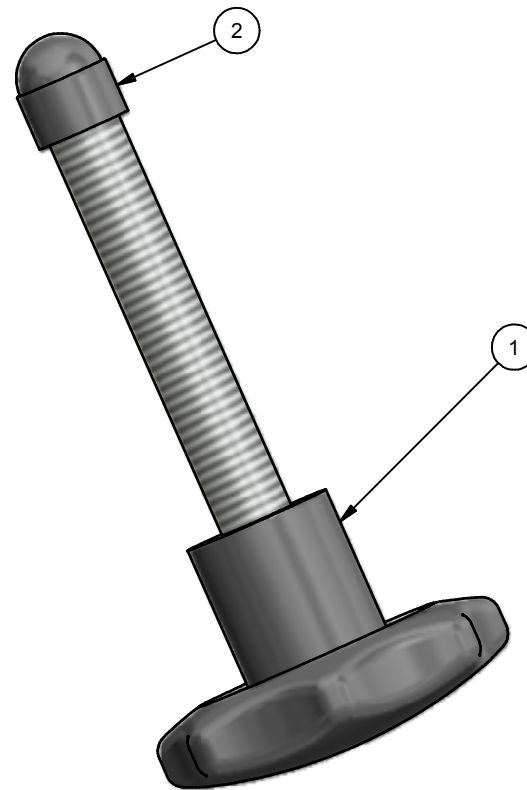


Parts List

ITEM	QTY	PART NUMBER	DESCRIPTION
1	1	11-KPD6B50S10-64	hand wheel Hi Q #11-KPD6B50S10-64
2	1	14-NCO6BM	buffer Hi Q #14-NCO6BM

**MFKS\_401\_A39.iam (Bench Lock Screw)**



Mass:0.201 kg

Designed by AS	Date drawn 11/08/2009	General Tolerance X ± 1 Unless Otherwise X.X ± 0.4 stated: X° ± 1° X.XX ± 0.03	All dimensions in mm A3	Customer - Project
This document & designs shown are the property of Metalform (Dvke) Limited. It may not be copied in any form unless written permission is given by the Metalform(Dvke) Ltd		<b>Metalform (DVKE) Ltd</b>		Description Bench Lock Screw
Easton Street, PO BOX 122 Dannevirke Phone 06 374 7043 Fax 06 374 9316			Part No MFKS_401_A39	Rev A
A		11/08/2009	AS	Sheet 1 / 1
REV	DESCRIPTION	ECR	DATE	AUTHOR