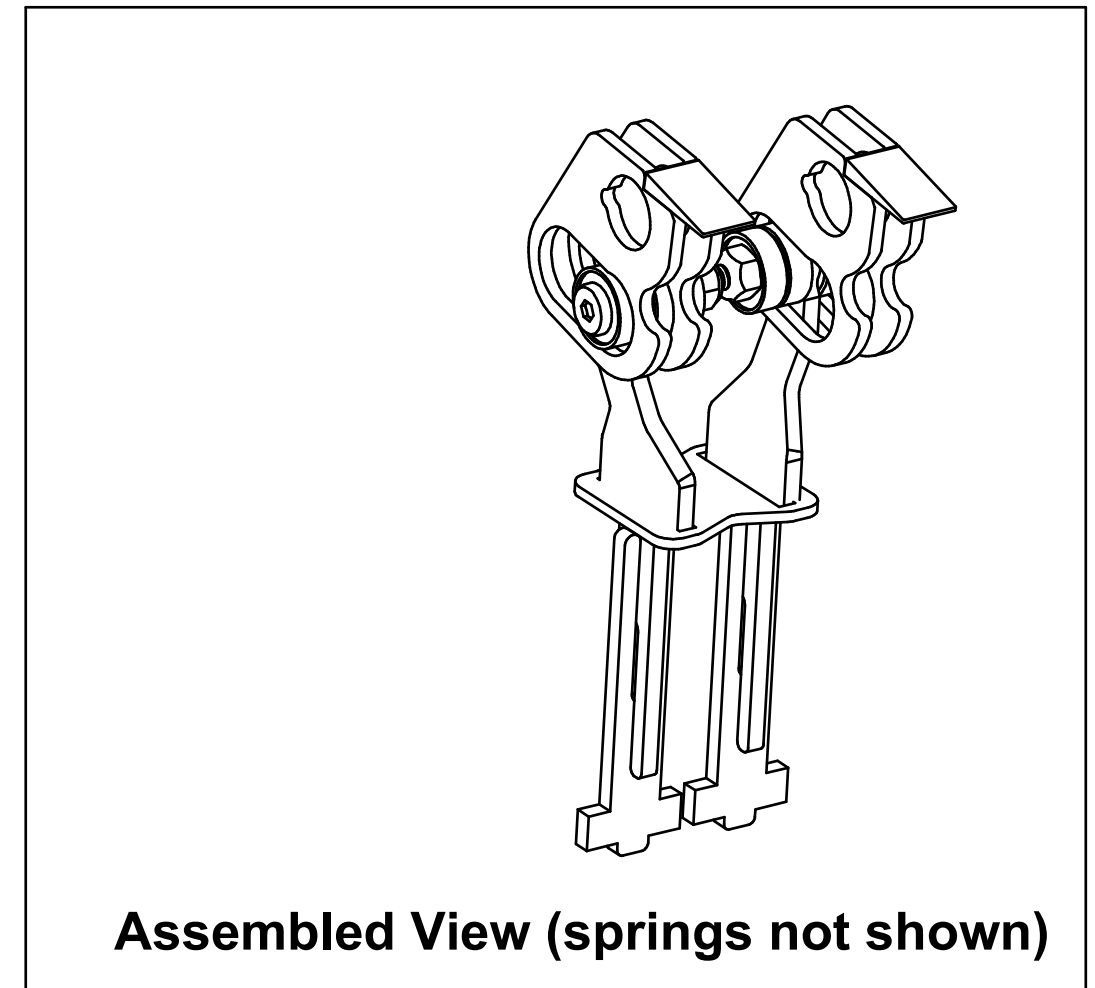
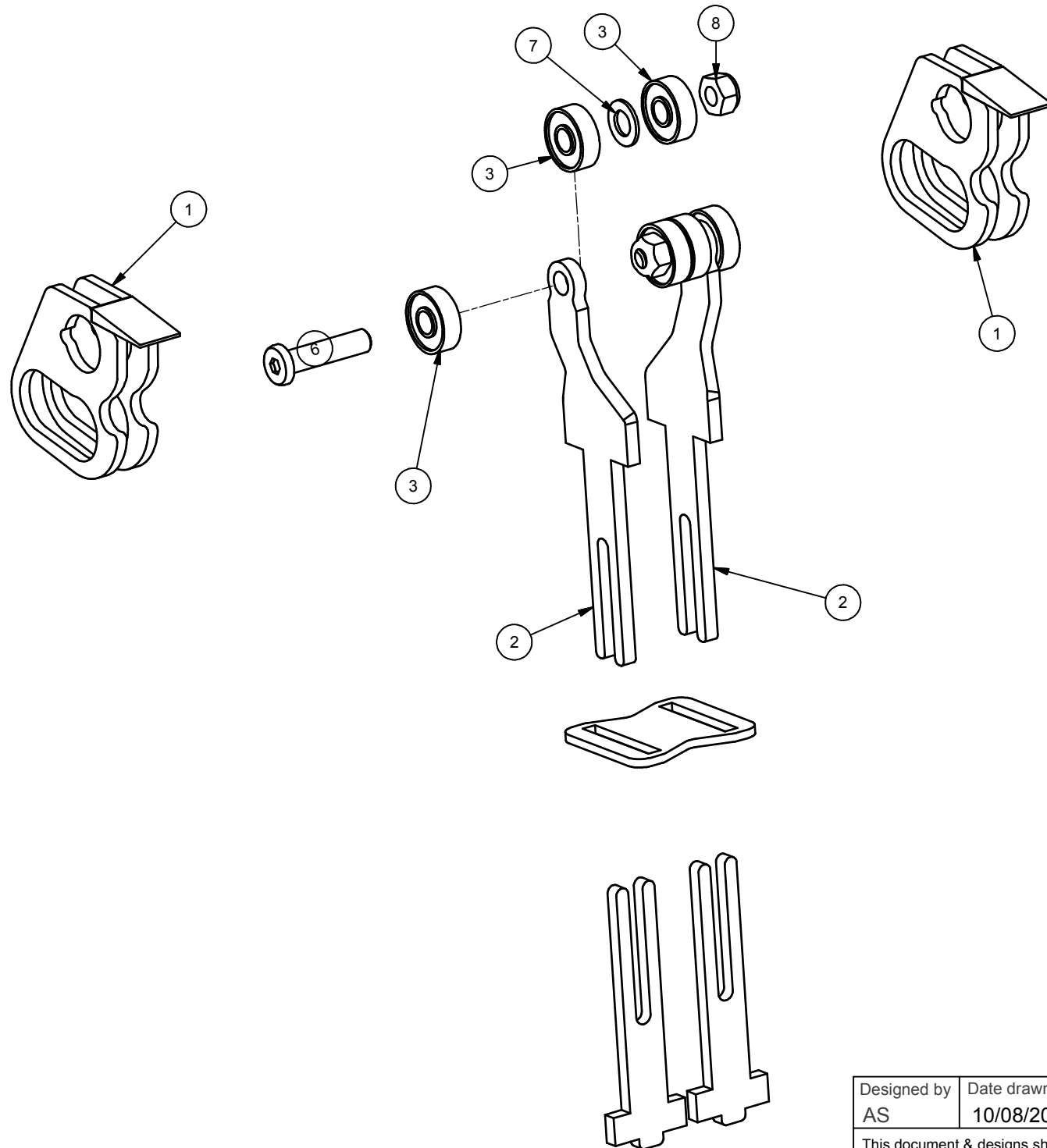


Parts List					
ITEM	QTY	PART NUMBER	DESCRIPTION	Thickness	MATERIAL
1	2	PPCS_201_002	Clamping Jaw assy		Welded Stainless Steel, 440C
2	2	PPCS_203_007	spring guide	5mm	Stainless Steel
3	6	DIN 625 - W608 2RS SS	Bearing 608-2RS Stainless		Stainless Steel
4	2	PPCS_203_021	spring guide fork	5mm	Stainless Steel
5	1	PPCS_203_036	guide plate	3mm	Stainless Steel
6	2	PPCS_303_007	Soc Hd button screw M8x35 - M/C		Stainless Steel T316
7	2	ISO 7091 M8 x 16 SS	M8 x 16 Flat Washer SS		Stainless Steel
8	2	DIN985 - M8 SS	M8 Nyloc nut SS		Stainless Steel

PPCS-201-A07 (Clamp Jaw Replacement Kit)



Mass:0.748 kg

Qty 1 per assy

DXF Date	Signed AS
Turret Date / /	Signed
Laser Date / /	Signed
V1300 Date / /	Signed

Designed by AS	Date drawn 10/08/2009	General Tolerance Unless Otherwise stated: X ± 1° X.X ± 0.4 X.XX ± 0.03	All dimensions in mm A3	Customer - Project
This document & designs shown are the property of Metalform (Dvke) Limited. It may not be copied in any form unless written permission is given by the Metalform(Dvke) Ltd				Metalform (DVKE) Ltd Easton Street, PO BOX 122 Dannevirke Phone 06 374 7043 Fax 06 374 9316
Description Clamp Jaw Replacement Kit				Part No PPCS-201-A07
Rev A				Sheet 1 / 1

A	Approved for production	10/08/2009	AS
REV	DESCRIPTION	ECR	DATE AUTHOR