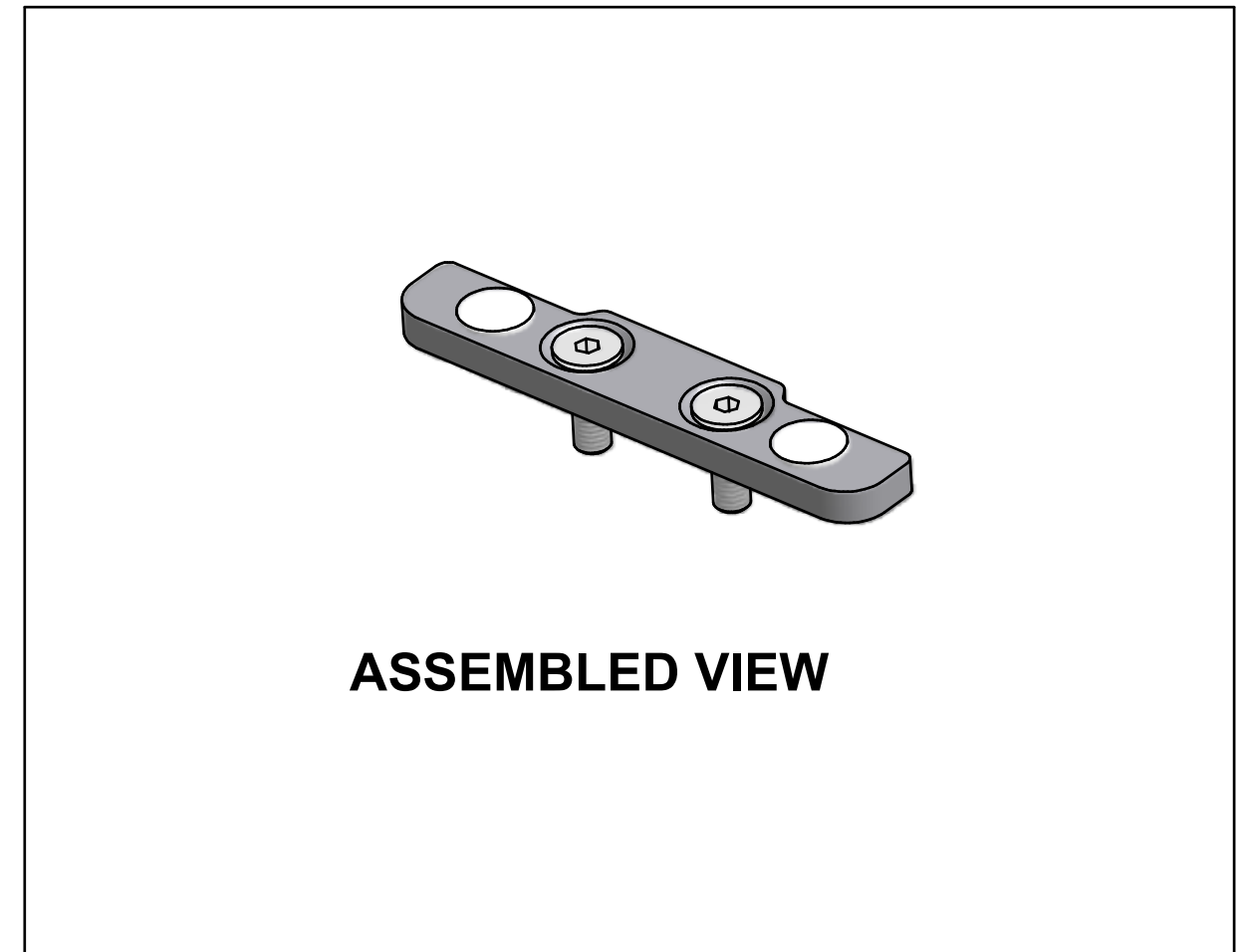
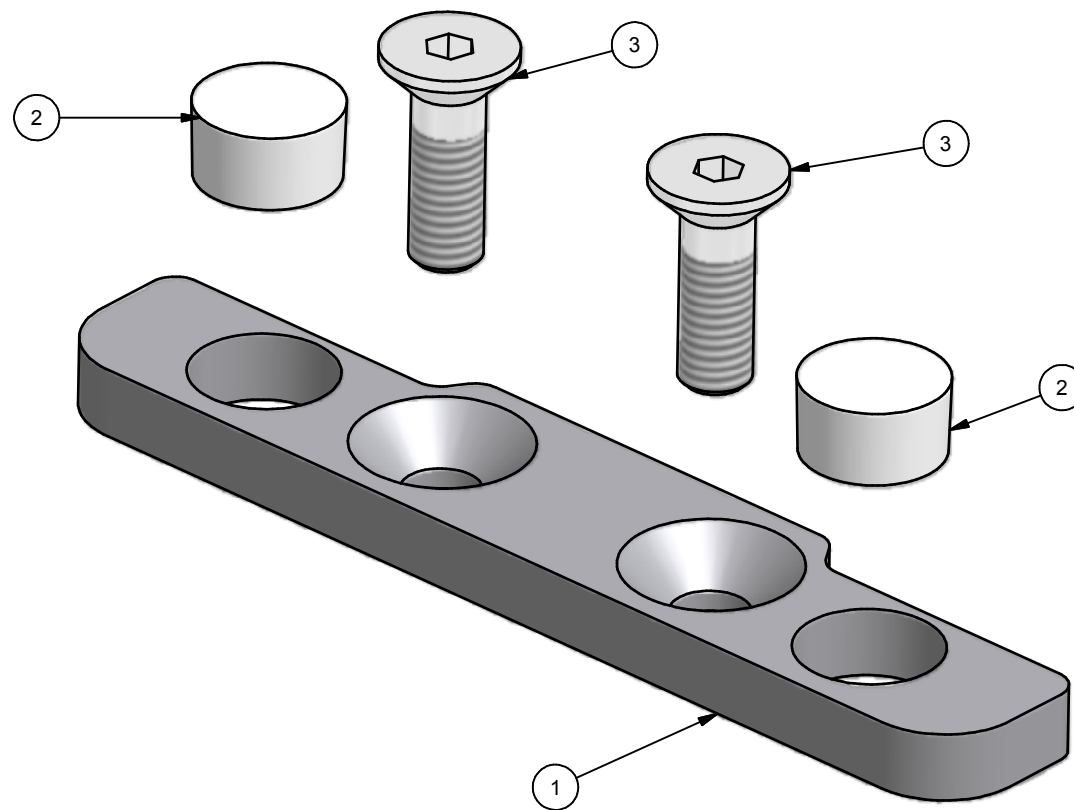


Parts List					
ITEM	QTY	PART NUMBER	DESCRIPTION	Thickness	MATERIAL
1	1	PPCS_203_038	bottom clamp jaw	5mm	Stainless Steel
2	2	PPCS_203_039	urethane button		Silicone
3	2	ISO 10642 - M5 x 16 SS	M5 x 16 Socket CSK Screw SS		Stainless Steel

PPCS-201-A05 (Clamp Plate Kit)



ASSEMBLED VIEW

Mass:0.042 kg

Qty 1 per assy

DXF Date	Signed AS
Turret Date / /	Signed
Laser Date / /	Signed
V1300 Date / /	Signed

Designed by AS	Date drawn 7/08/2009	General Tolerance Unless Otherwise stated: X ± 1° X.X ± 0.4 X.XX ± 0.03	All dimensions in mm A3	Customer - Project
This document & designs shown are the property of Metalform (Dvke) Limited. It may not be copied in any form unless written permission is given by the Metalform(Dvke) Ltd				Metalform (DVKE) Ltd Easton Street, PO BOX 122 Dannevirke Phone 06 374 7043 Fax 06 374 9316
Description Clamp Plate Kit				Rev A
Part No PPCS-201-A05				Sheet 1 / 1

A	Approved for production	ECR	7/08/2009	AS
REV	DESCRIPTION	ECR	DATE	AUTHOR