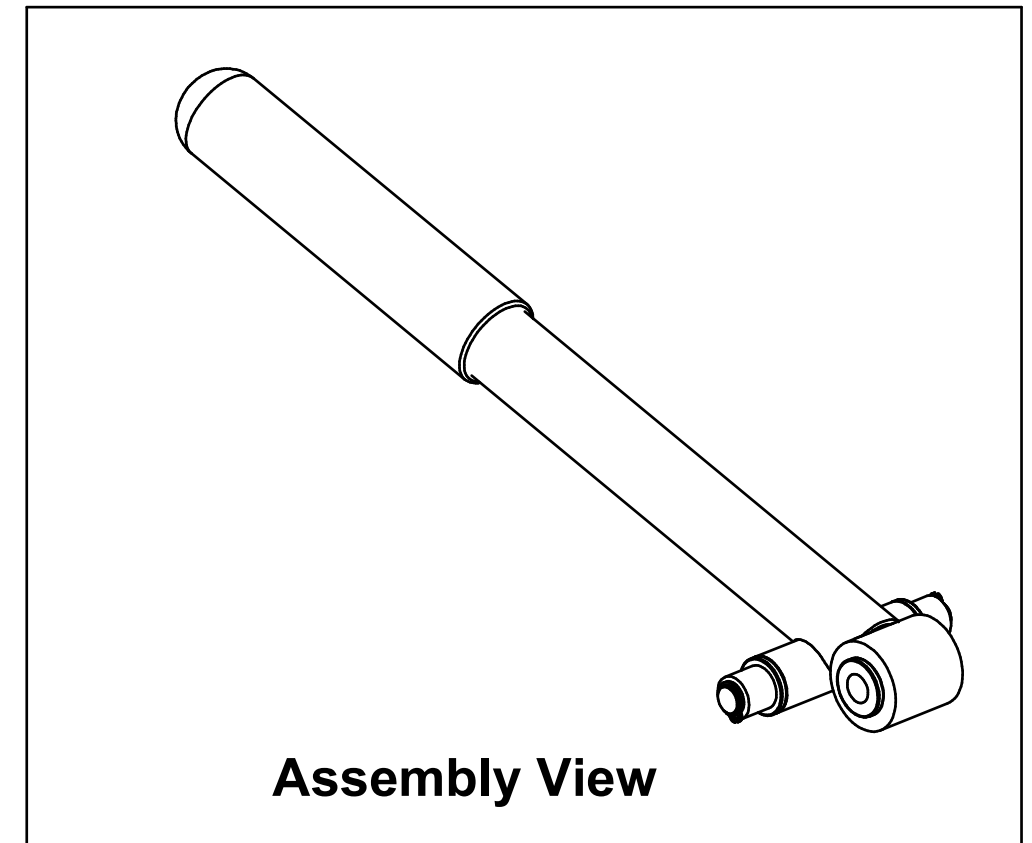
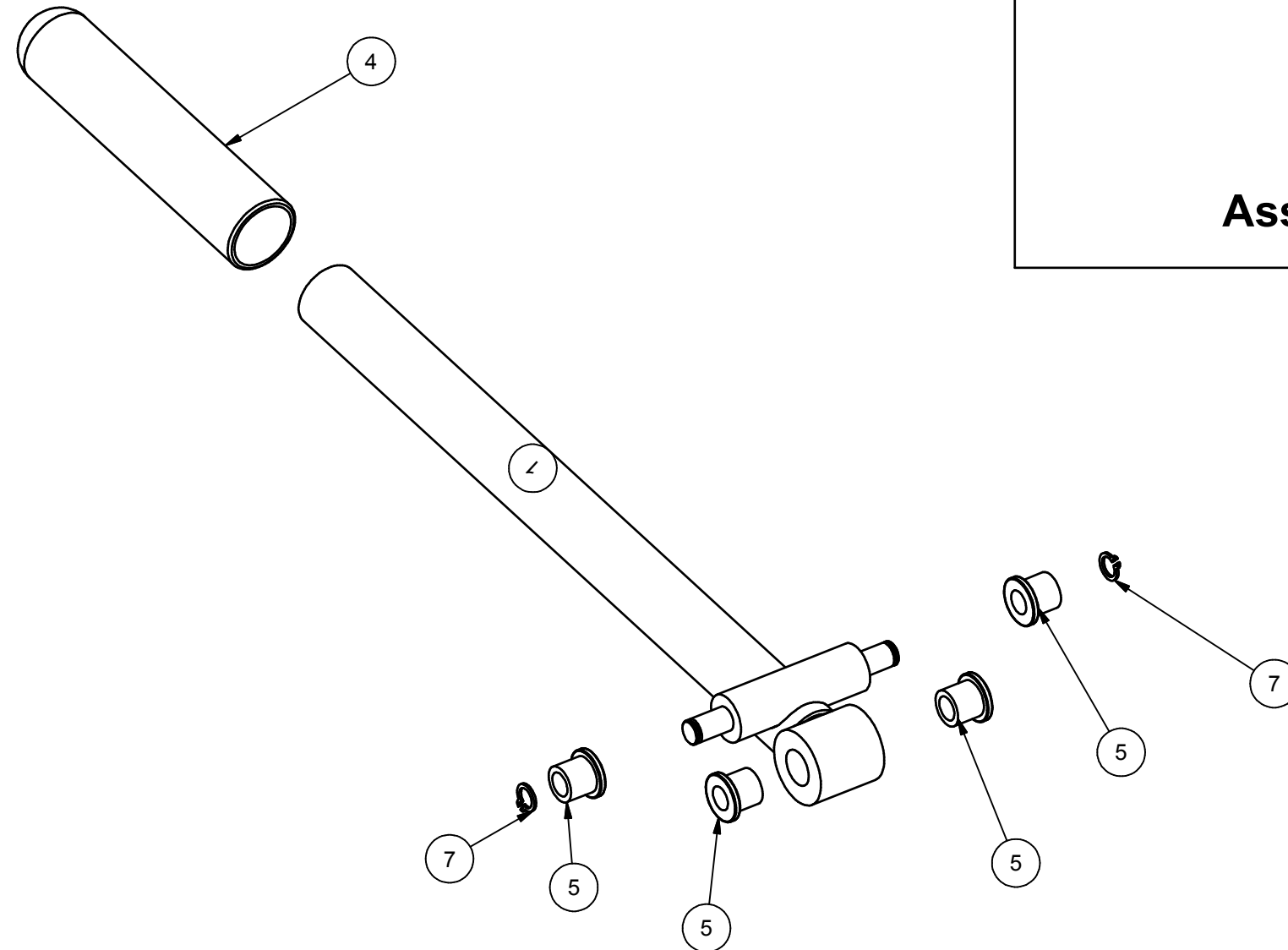


Parts List			
ITEM	QTY	PART NUMBER	DESCRIPTION
1	1	MFKS_401_P307	Handle
2	1	MFKS_401_P308	Shoulded Bush 16mm
3	1	MFKS_401_P306	Bush 25mm
4	1	Softex 14-CVSC11022-B	handle grip
5	4	S48M_Bush	Ludowici
7	2	DIN471-7x0.8-SS	7x0.8 External Circlip SS

MFKS_401_A33.iam (Handle Assembly)



Assembly View

DXF Date	Signed
/ /	
Turret Date	Signed
/ /	
Laser Date	Signed
/ /	
V1300 Date	Signed
/ /	

Designed by geoff	Date drawn 7/05/2008	General Tolerance Unless Otherwise stated: X ± 1° X.X ± 0.4 X.XX ± 0.03	All dimensions in mm A3	Customer - Project Metalform Knife Care
This document & designs shown are the property of Metalform (Dvke) Limited. It may not be copied in any form unless written permission is given by the Metalform(Dvke) Ltd				Description Handle Assembly
Metalform (DVKE) Ltd Easton Street, PO BOX 122 Dannevirke Phone 06 374 7043 Fax 06 374 9316			Part No MFKS_401_A33	Edition A
				Sheet 2 / 2