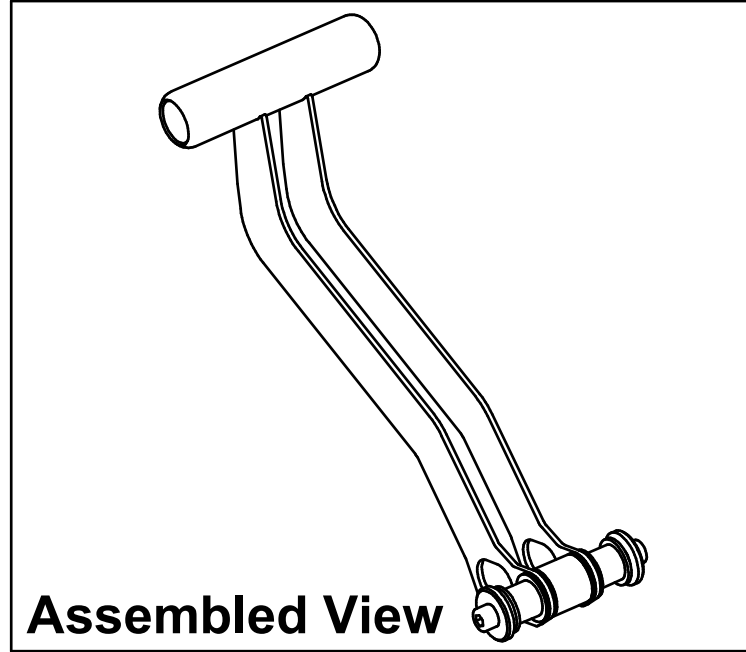
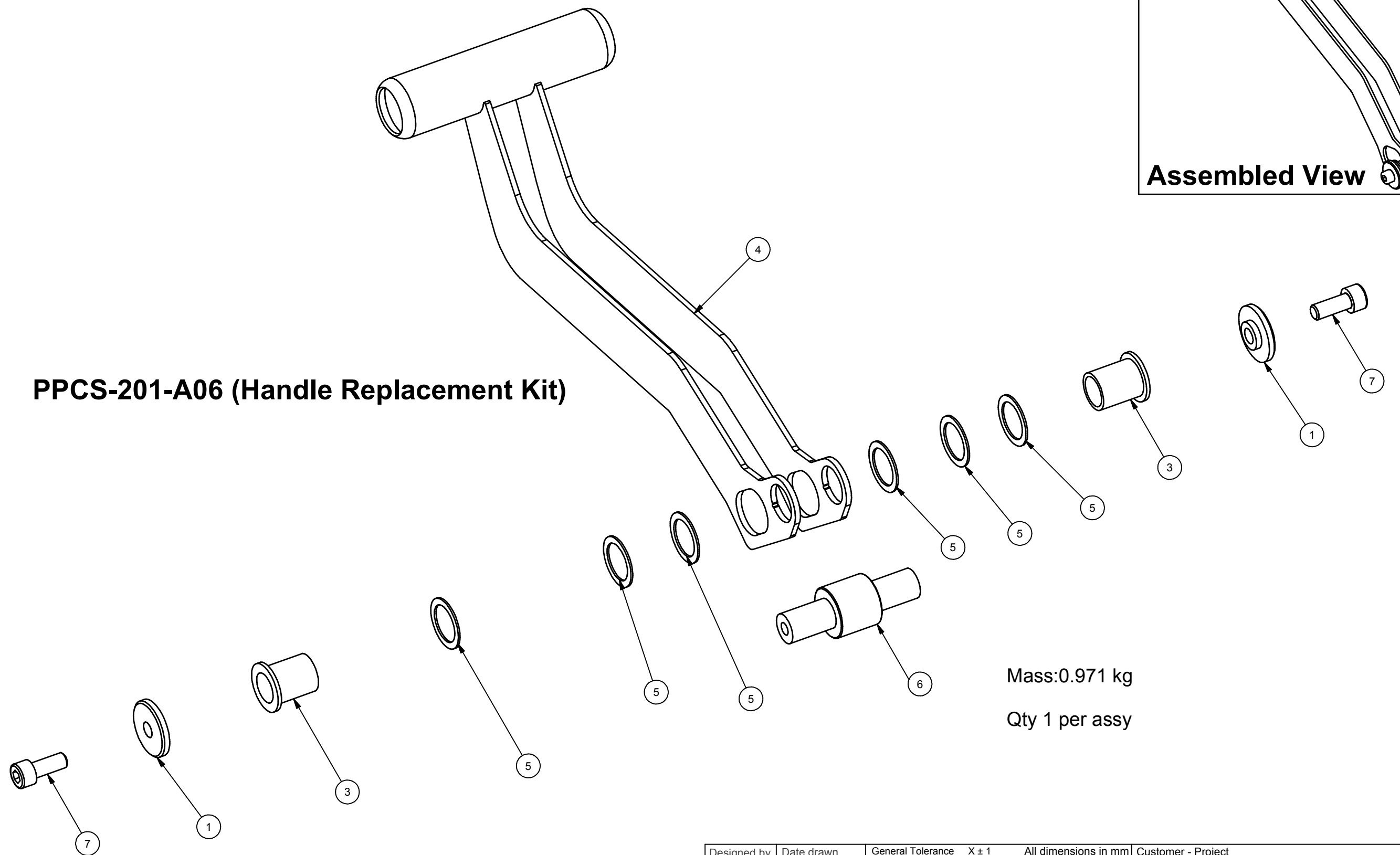


Parts List						
ITEM	QTY	PART NUMBER	DESCRIPTION	Thickness	MATERIAL	
1	2	PPCS_203_024	collar		Stainless Steel	
3	2	PPCS_203_034	flanged bush Ludowici Code 742260		Nylon Composite (Nylon, molybdenum disulphide)	
4	1	PPCS_301_004	gripper handle assy			
5	6	PPCS_203_010	nylon washer 27x20x1	1.000 mm	Nylon-6/6	
6	1	PPCS_203_017	axle		Stainless Steel	
7	2	ISO 4762 - M8 x 20 SS	M8 x 20 Socket Cap Screw SS		Stainless Steel	



PPCS-201-A06 (Handle Replacement Kit)



Mass:0.971 kg
Qty 1 per assy

DXF Date	Signed AS
Turret Date / /	Signed
Laser Date / /	Signed
V1300 Date / /	Signed

Designed by AS	Date drawn 10/08/2009	General Tolerance X ± 1 Unless Otherwise X.X ± 0.4 stated: X° ± 1° X.XX ± 0.03	All dimensions in mm A3	Customer - Project
This document & designs shown are the property of Metalform (Dvke) Limited. It may not be copied in any form unless written permission is given by the Metalform(Dvke) Ltd				Metalform (DVKE) Ltd Easton Street, PO BOX 122 Dannevirke Phone 06 374 7043 Fax 06 374 9316
Description Handle Replacement Kit				Rev A
Part No PPCS-201-A06				Sheet 1 / 1

A	Approved for production	10/08/2009	AS
REV	DESCRIPTION	DATE	AUTHOR