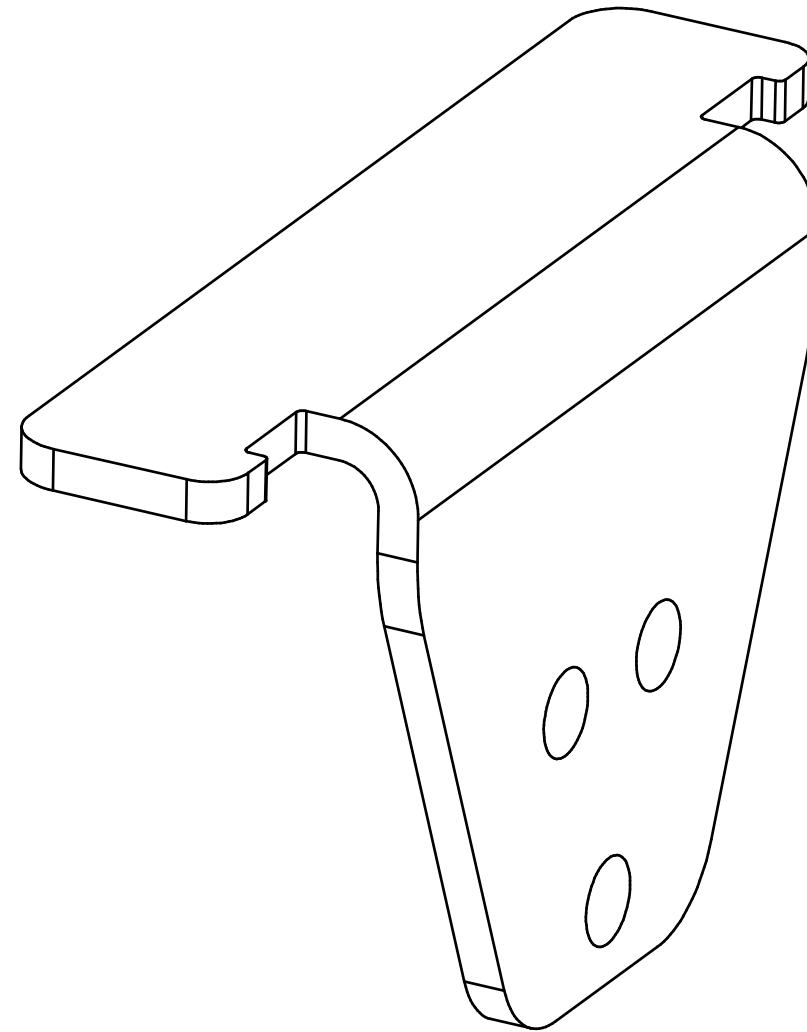


MFKS_401_P314.ipt (Clamp Anvil - Standard)



Mass:0.088 kg

Qty 1

Designed by Geoff	Date drawn 6/05/2008	General Tolerance X ± 1 Unless Otherwise X.X ± 0.4 stated: X° ± 1° X.XX ± 0.03	All dimensions in mm A3	Customer - Project Metalform Knife Care
This document & designs shown are the property of Metalform (Dvke) Limited. It may not be copied in any form unless written permission is given by the Metalform(Dvke) Ltd		Metalform (DVKE) Ltd		Description Clamp Anvil - Standard
Easton Street, PO BOX 122 Dannevirke Phone 06 374 7043 Fax 06 374 9316		Part No MFKS_401_P314	Rev A	Sheet 2 / 2